



NGR08 Series

PRESSURE REDUCING REGULATORS
for Commercial or Industrial Applications



The NGR08 Series spring loaded gas regulators with internal relief provide consistent and controlled pressure in a variety of residential, industrial and commercial applications. The NGR08 meets ANSI Z21.80/CSA 6.22 for Class I, Class II, Vent Limiting and OPD (Overpressure Protection Device) applications and are designed to be used in many applications where non-corrosive dry gases are used.

FEATURES

- Vent Limiting Option
- Internal Relief - OPD
- Outlet pressures up to 7 psig
- Conforms to ANSI B109.4
- Corrosion resistant exterior

SPECIFICATIONS

Pipe Sizes:	1-1/4" NPT to 3" FL
Gas Types:	Natural Gas, LPG, other non-corrosive dry gases
Maximum Inlet Pressure:	25 to 125 psig per Orifice
Outlet Pressure Range:	2" w.c. to 7 psig
Maximum Emergency Inlet Pressure:	175 psig
Operating Temp:	-40F - +140F
Materials:	Housing: Epoxy Coated Aluminum Valve Body: Cast Iron Diaphragm/Valve Seat: Buna N Orifice: High Strength Brass

NGR08 Series PRESSURE REDUCING REGULATORS

7" wc Outlet Pressure - BTU x1000 - 1" Pressure Drop

INLET PRESSURE	ORIFICE															
	1/4"		3/8"		1/2"		5/8"		3/4"		1"		1-1/4"		1-3/8"	
	NG	LP	NG	LP	NG	LP	NG	LP	NG	LP	NG	LP	NG	LP	NG	LP
10" wc	180	284	310	488	300	473	650	1024	850	1339	1350	2126	1450	2284	2650	4174
14" wc	270	425	460	725	380	599	800	1260	1200	1890	2650	4174	2710	4268	3890	6127
1	390	614	857	1350	982	1547	2104	3314	2961	4664	4208	6628	4286	6750	6234	9819
2	545	858	1403	2210	1543	2430	3039	4786	3818	6013	5143	8100	7636	12027	8961	14114
3	701	1104	1714	2700	1964	3093	3896	6136	4831	7609	5766	9081	9039	14236	9896	15586
5	1013	1595	2494	3928	2665	4197	5455	8592	6390	10064	6701	10554	11610	18286	12779	20127
8	1247	1964	3195	5032	5844	9204	7169	11291	9662	15218	12857	20250	16364	25773	17532	27613
10	1558	2454	3662	5768	6468	10187	8961	14114	11065	17427	15662	24668	18701	29454	21662	34118
20	2182	3437	5377	8469	9818	15463	14182	22337	19558	30804	20260	31910	26883	42341	37403	58910
30	3117	4909	7013	11045	12779	20127	19481	30683	25169	39641	25714	40500	32338	50932		
40	3896	6136	8416	13255	16753	26386	23377	36819	27273	42955	27662	43568	37403	58910		
50	4831	7609	9818	15463	21506	33872	25325	39887	28501	44889	28675	45163				
60	5922	9327	11221	17673	27273	42955	33662	53018	33850	53314	34121	53741				
70	6692	10540	13372	21061												
90	8446	13302	16626	26186												
125	11512	18131	22308	35135												

Green S0608B VB to obtain values

NG = 0.63 S.G. gas = 1CF/1000BTU

LP = 1.53 S.G. gas = 1CF/2500BTU

14" wc Outlet Pressure - BTU x1000 - 2" Pressure Drop

INLET PRESSURE	ORIFICE															
	1/4"		3/8"		1/2"		5/8"		3/4"		1"		1-1/4"		1-3/8"	
	NG	LP	NG	LP	NG	LP	NG	LP	NG	LP	NG	LP	NG	LP	NG	LP
1	360	567	550	866	940	1481	1400	2205	1950	3071	2760	4347	3020	4757	4050	6379
2	460	725	1280	2016	2340	3686	2570	4048	3510	5528	4050	6379	5440	8568	6080	9576
3	540	851	1720	2709	3040	4788	3580	5639	4050	6379	6000	9450	7480	11781	7710	12143
5	700	1103	2570	4048	4280	6741	5380	8474	5840	9198	7790	12269	8800	13860	9520	14994
8	1090	1717	3430	5402	5530	8710	6620	10427	7280	11466	11180	17609	12460	19625	13950	21971
10	1210	1906	3890	6127	6930	10915	7550	11891	8400	13230	13240	20853	13870	21845	16750	26381
20	2340	3686	5840	9198	9580	15089	12070	19010	13000	20475	18710	29468	21810	34351	28400	44730
30	3200	5040	7250	11419	12230	19262	15580	24539	18000	28350	24200	38115	25490	40147		
40	3900	6143	8730	13750	14180	22334	18390	28964	22600	35595	25960	40887	27180	42809		
50	4160	6552	10050	15829	16670	26255	22600	35595	26200	41265	26880	42336				
60	5370	8458	11380	17924	18700	29453	24540	38651	27900	43943	28440	44793				
70	5922	9327	13948	21968												
90	7668	12077	17490	27547												
125	10341	16287	23587	37150												

Purple S0608C VB to obtain values

NG = 0.63 S.G. gas = 1CF/1000BTU

LP = 1.53 S.G. gas = 1CF/2500BTU

Relief & Lever Disconnect curves available upon request. Results in chart may vary for every application.

NGR08 Series PRESSURE REDUCING REGULATORS

1 psig Outlet Pressure - BTU x1000 - 20% Pressure Drop

INLET PRESSURE	ORIFICE															
	1/4"		3/8"		1/2"		5/8"		3/4"		1"		1-1/4"		1-3/8"	
	NG	LP	NG	LP	NG	LP	NG	LP	NG	LP	NG	LP	NG	LP	NG	LP
2	390	614	935	1473	1948	3068	2026	3191	2571	4049	3429	5401	5688	8959	5143	8100
3	468	737	1091	1718	2338	3682	3195	5032	3584	5645	5143	8100	7714	12150	7013	11045
5	545	858	1636	2577	3117	4909	4831	7609	5299	8346	9039	14236	10130	15955	10052	15832
8	935	1473	2494	3928	4675	7363	6857	10800	8541	13452	10675	16813	15584	24545	14416	22705
10	1403	2210	3273	5155	5065	7977	8260	13010	13569	21371	18701	29454	20260	31910	15195	23932
20	2104	3314	5221	8223	9896	15586	14026	22091	16542	26054	22584	35570	23377	36819	31403	49460
30	2805	4418	6935	10923	13870	21845	20554	32373	21410	33721	25412	40024	29223	46026		
40	4130	6505	8961	14114	15584	24545	23563	37112	26571	41849	28961	45614	30211	47582		
50	5610	8836	9273	14605	20104	31664	26523	41774	28831	45409	38386	60458				
60	6319	9952	12089	19040	24054	37885	33839	53296	36296	57166	41113	64753				
70	7366	11601	13870	21845												
90	9461	14901	17387	27385												
125	13093	20621	23475	36973												

Silver S0608E VB to obtain values

NG = 0.63 S.G. gas = 1CF/1000BTU

LP = 1.53 S.G. gas = 1CF/2500BTU

2 psig Outlet Pressure - BTU x1000 - 20% Pressure Drop

INLET PRESSURE	ORIFICE															
	1/4"		3/8"		1/2"		5/8"		3/4"		1"		1-1/4"		1-3/8"	
	NG	LP	NG	LP	NG	LP	NG	LP	NG	LP	NG	LP	NG	LP	NG	LP
3	390	614	623	981	2182	3437	2494	3928	3506	5522	5123	8069	5844	9204	6701	10554
5	545	858	1792	2822	3506	5522	5377	8469	6156	9696	9105	14340	9351	14728	9974	15709
8	857	1350	2805	4418	4909	7732	7523	11849	7792	12272	14412	22699	15584	24545	15650	24649
10	1169	1841	3584	5645	6234	9819	9156	14421	9818	15463	16520	26019	17143	27000	17456	27493
20	1870	2945	5455	8592	9974	15709	13253	20873	14571	22949	21105	33240	21818	34363	22597	35590
30	2727	4295	7247	11414	14571	22949	15486	24390	17766	27981	25545	40233	25714	40500		
40	3506	5522	8571	13499	18701	29454	24432	38480	26494	41728	31008	48838	31169	49091		
50	4364	6873	10130	15955	28052	44182	31001	48827	31169	49091	38440	60543				
60	5209	8204	12511	19705	30778	48475	35227	55483	36412	57349	43618	68698				
70	6032	9500	14186	22343												
90	7666	12074	17648	27796												
125	10524	16575	23726	37368												

Silver S0608E VB to obtain values

NG = 0.63 S.G. gas = 1CF/1000BTU

LP = 1.53 S.G. gas = 1CF/2500BTU

Relief & Lever Disconnect curves available upon request. Results in chart may vary for every application.

5 psig Outlet Pressure - BTU x1000 - 20% Pressure Drop

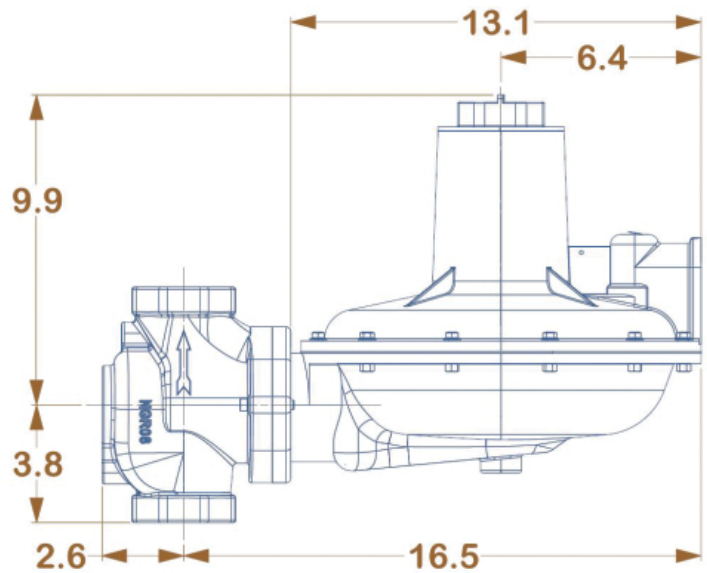
INLET PRESSURE	ORIFICE															
	1/4"		3/8"		1/2"		5/8"		3/4"		1"		1-1/4"		1-3/8"	
	NG	LP	NG	LP	NG	LP	NG	LP	NG	LP	NG	LP	NG	LP	NG	LP
8	857	1350	2416	3805	3818	6013	6078	9573	7636	12027	7792	12272	12312	19391	18701	29454
10	1247	1964	2727	4295	5065	7977	8961	14114	9896	15586	12078	19023	15195	23932	25403	40010
20	2494	3928	5221	8223	8416	13255	16286	25650	17143	27000	25714	40500	33506	52772	35065	55227
30	3039	4786	6779	10677	12935	20373	25325	39887	33117	52159	35651	56150	38741	61017		
40	3896	6136	8571	13499	16364	25773	28051	44180	35121	55316	37874	59652	43025	67764		
50	4519	7117	10052	15832	20260	31910	32338	50932	37543	59130	39512	62231				
60	5542	8729	12151	19138	24206	38124	32961	51914	38837	61168	44546	70160				
	6297	9918	13924	21930												
90	7788	12266	17307	27259												
125	10626	16736	23541	37077												

White S0608G VB to obtain values NG = 0.63 S.G. gas = 1CF/1000BTU LP = 1.53 S.G. gas = 1CF/2500BTU

Relief & Lever Disconnect curves available upon request. Results in chart may vary for every application.

Orifice Max Pressure		
Size	Max Inlet Pressure	P/N
1/4"	125 psig	F08A
3/8"	125 psig	F08B
1/2"	60 psig	F08C
5/8"	60 psig	F08D
3/4"	60 psig	F08E
1"	60 psig	F08F
1-1/4"	40 psig	F08G
1-3/8"	25 psig	F08H

Spring Chart		
Color	Outlet Range	P/N
Orange	2"wc - 4"wc	S0608A
Green	5"wc - 8"wc	S0608B
Black	8"wc - 18"wc	S0608C
Purple	13"wc - 24"wc	S0608D
Silver	1 psig - 2 psig	S0608E
Yellow	2 psig - 4 psig	S0608F
White	4 psig - 7 psig	S0608G



Flange to Flange (2" & 3"): 10"

Gas Type	Specific Gravity	Correction Factor (CF)
Natural Gas	0.60	1.00
Propane	1.53	0.63
Air	1.00	0.77
Propane-Air-Mix	1.20	0.71
Nitrogen	0.97	0.79
Butane	2.01	0.55
Carbon Dioxide (Dry)	1.52	0.63
Carbon Monoxide (Dry)	0.97	0.79

Model	Pipe Size	Vent (NPT)	Wt. (lb)
NGR08	1-1/4", 1-1/2", 2"	1"	25.30
	2" FL		35.00
	3" FL		47.80